

Champ® H.I.D. Luminaires

Isofootcandle Chart

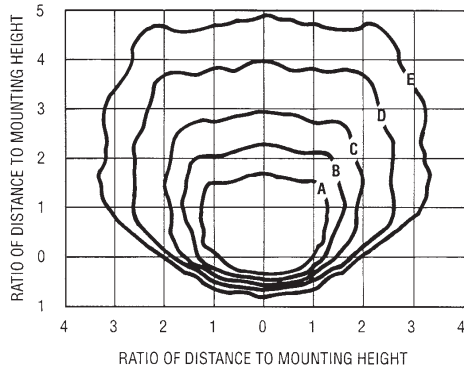
FMV 400W high pressure sodium

Catalog number FMVSY400-76

Lamp: 400 watt clear high pressure sodium

Lumen rating: 50,000

For 150 watt high pressure sodium, multiply footcandles by 0.32. For 250 watt superior high pressure sodium, multiply footcandles by 0.6.



Luminaire located at 0°, 0° (Note: Luminaire aiming angle limited to Aiming angle at 45° 30° past vertical through 60° before vertical.)

Isofootcandle Chart

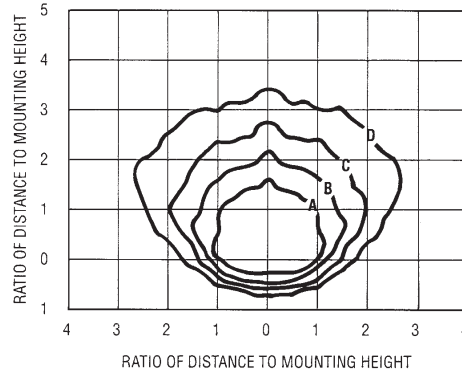
FMV 400W metal halide

Catalog number FMVMY400-76

Lamp: 400 watt clear metal halide

Lumen rating: 34,000

For 250 watt clear metal halide, multiply footcandles by 0.6.



Luminaire located at 0°, 0° (Note: Luminaire aiming angle limited to Aiming angle at 45° 30° past vertical through 60° before vertical.)

EPA Data – Aiming Angle

0°=2.9 30°=2.5 45°=2.1

● 50 hertz ballast – luminaires can be ordered with either 220V 50 hertz or 240V 50 hertz ballasts.

● Ballast-Gard™ starter cut-out switch – prevents starter pulsing when lamp is cycling or inoperative; prolongs ballast and ignitor life.

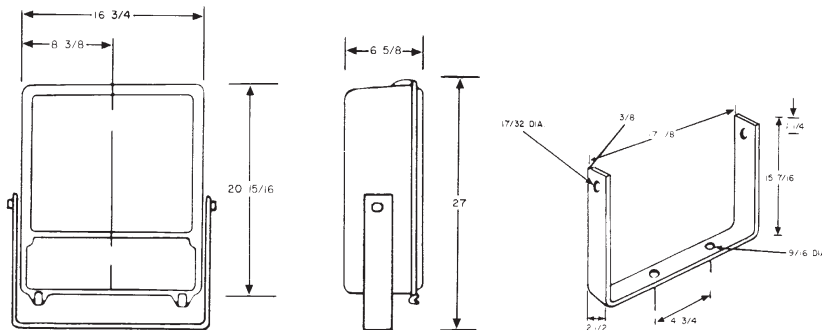
Available for use with 70-400W HPS only. add suffix **BG**.

Table of Footcandle Values at Various Mounting Heights FMV 400W

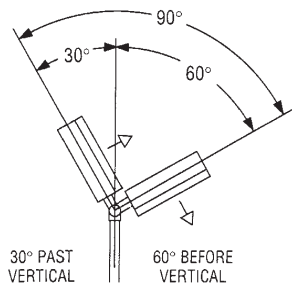
Footcandle Values for both Isofootcandle Charts

Mounting Height	A	B	C	D	E
15'	8.0	4.0	2.0	0.8	0.4
20'	4.5	2.3	1.1	0.5	0.23
25'	2.9	1.4	0.7	0.3	0.14
30'	2.0	1.0	0.5	0.2	0.1
35'	1.5	0.7	0.4	0.15	0.07
40'	1.1	0.6	0.3	0.11	0.06

Dimensions



AIMING RANGE



7L 150-400W FMV Series

Champ® H.I.D. Luminaires

Temperature Performance Data
Net Fixture Weights

Temperature Performance Data:

Class 1

Lamp Watts	Ambient Temp °C	Non-restricted Breathing	Restricted Breathing (S826TB)	Supply Wire °C
		Division 2	Zone 2	
High Pressure Sodium				
150 Watt	40	T2C	T6	75
	55	T2C	T5	90
	65	T2B	T4	90
250 Watt	40	T2	T4	75
	55	T2	T4	90
	65	325 °C	T4	90
400 Watt	40	T1	T4	75
	55	T1	T3	90
	65	—	—	—
Metal Halide & Pulse Start				
175 Watt	40	T2	T4	75
	55	T2	T3	90
	65	325 °C	T3	90
250 Watt	40	T2	T4	75
	55	T2	T3	90
	65	325 °C	T3	90
320/400 Watt	40	325 °C	T3	75
	55	T1	T3	90
	65	—	—	—
Mercury Vapor				
175 Watt	40	325 °C	T4	75
	55	325 °C	T3	90
	65	325 °C	T3	90
250 Watt	40	325 °C	T3	75
	55	325 °C	T3	90
	65	325 °C	T3	90
400 Watt	40	325 °C	T3	75
	55	T1	T3	90
	65	—	—	—

Net Weights (lbs.)

Luminaires	FMVS	FMVM	FMVC
70-150W	37	—	—
175-250W	40	42	37
400W	44	44	41

SFA6 (Slipfitter Adapter) – Add 4 lbs.

SWB6 (Wall Bracket) – Add 6 lbs.